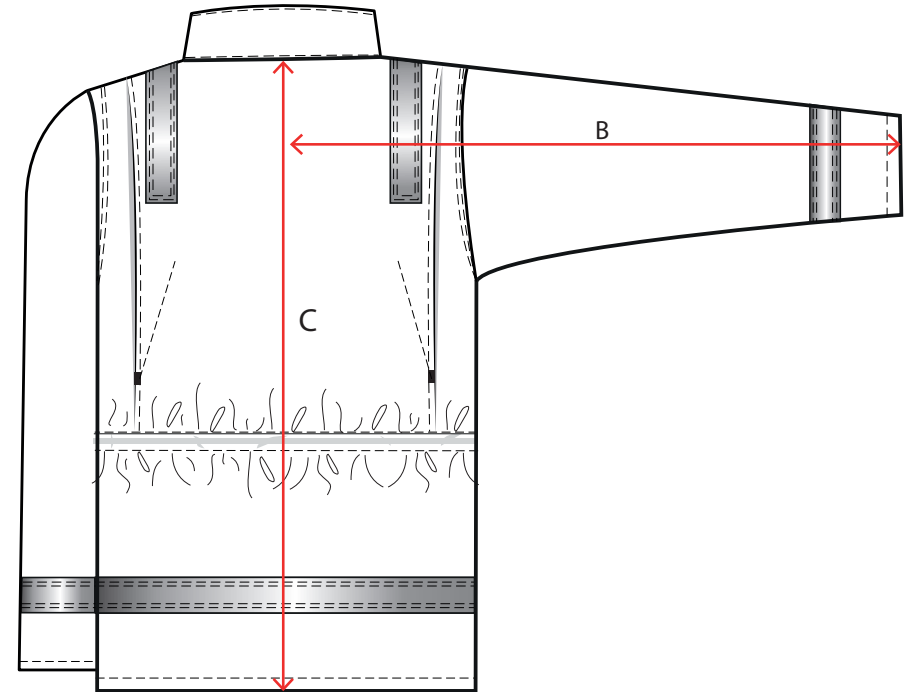
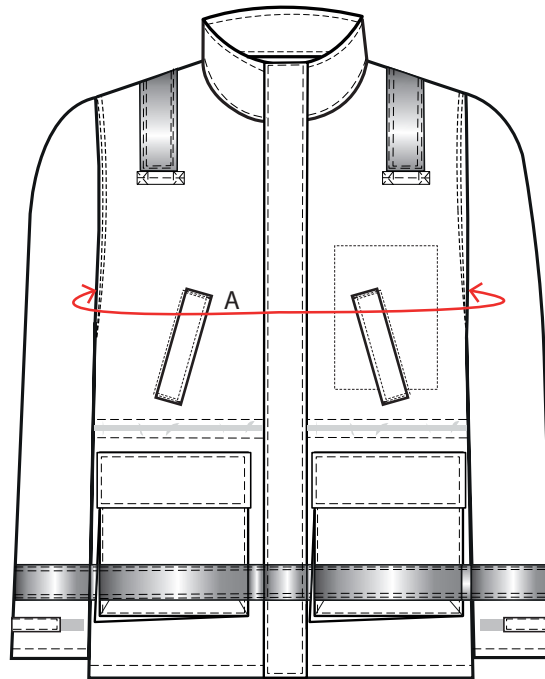


STYLE NO: FR59

DESCRIPTION: FR Winter Jacket with Reflective Tape

FABRIC: 99% Cotton 1% Carbon Fibre, 250gm

COLOUR: Orange, Red, Navy, Royal



Measurements

AREA		X-SMALL	80-88 SMALL	92-96 MEDIUM	100-104 LARGE	108-112 X-LARGE	116-124 XXL	128-132 XXXL	136-140 4XL	144-148 5XL
CHEST	A	105	113	121	129	137	149	157	165	173
SLEEVE LENGTH	B	87	88	89	90	91	92	93	94	95
JACKET LENGTH	C	76	77	78	79	80	81	82	83	84